

Lever Chain Hoist

3/4 to 6 Metric ton Capacity

FEATURES

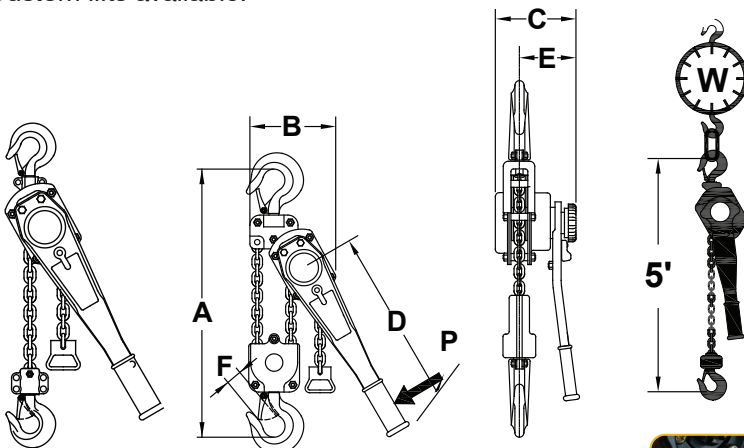
- ▶ Easy One Hand Operation and Set up - When the selector is in neutral and no load is present then free chain mode is entered. The chain can be pulled through the hoist by a pull handle for easy set up and load attachment before engaging the selector for pulling. The pull handle also acts as a chain stop. Short ratchet strokes of a non-slip rubber grip lever and the 360 degree rotation requires minimal space for operation. The pull force to operate may be 20 to 30% less than others.
- ▶ Operation in any orientation is assured by a fully enclosed horseshoe shape chain guard keeping the load chain in contact with the lift wheel.
- ▶ Available in lifts of 5, 10 and 20 feet zinc plated chain.
- ▶ Custom lifts available.



S Option:



Shipyard Hook



(1 part)
0.75, 1.5 & 3t

(2 part)
6t

(1) Shipping weight can be estimated by adding approximately 15% to "W" hanging weight.

Each hoist is serialized and supplied with test certificate and manual in English, French and Spanish.

Option: S = Shipyard Hooks, Available for 1.5t and 3t only

How to Order: By descriptive model number

Example: Model LC030-20S = 3t lever hoist with 20' lift shipyard hooks



Oversized laser etched stainless steel nameplate with required ASME/OSHA WARNINGS

SPECIFICATIONS AND DIMENSIONS (inches and pounds unless noted)

Base Model#	WLL Metric ton	Weight (lbs) Lift/FT	Weight (lbs) 5 Ft Lift	Chain# & Size (mm)	P (Lbs)	Falls	A	B	C	D	E	F
LC008	0.75t (1650 lbs)	0.54	17	C6X18ZC	31	1	12.6	5.3	5.8	11.4	3.5	0.94
LC015	1.5t (3300 lbs)	0.92	26	C8X24ZC	54	1	15.0	6.4	6.9	16.5	4.0	1.14
LC030	3.0t (6600 lbs)	1.48	46	C10X30ZC	72	1	18.9	8.3	7.7	16.5	4.3	1.42
LC060	6.0t (13200 lbs)	2.96	70	C10X30ZC	76	2	24.4	10.0	7.7	16.5	4.3	1.81



Before using these products; read and follow instructions in the operator's manual. Never exceed capacity. Do not use for lifting people or loads over people.